

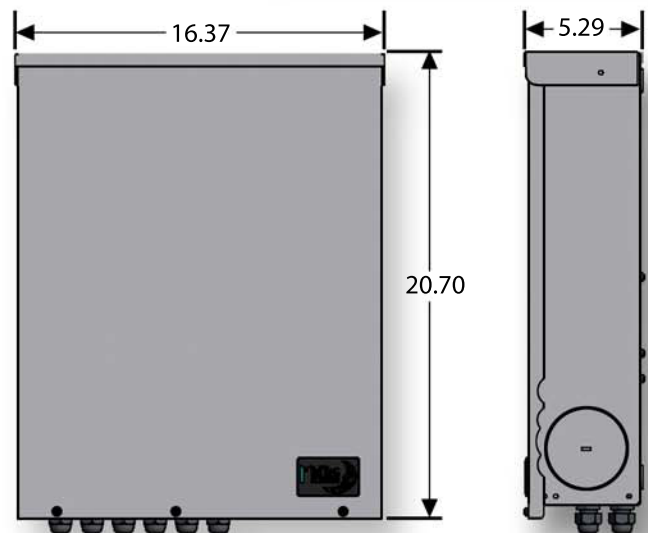
MNPV4BY3 COMBINER



12-String, 3-Output PV Combiner

SPECIFICATIONS

- Three independent 4 string combiners in one
- 1000 VDC Rated
- Twelve #14 to #8 AWG inputs
- Three #6 to #2/0 AWG outputs
- 120 Amp per output busbar rating (360 amps for all 3 channels)
- 12 strain reliefs
- Two 2 inch conduit knockouts on the bottom
- Two 2 inch conduit knockouts on side (can be increased to 3 inches in the field)
- Plastic deadfront protects all wiring
- Type 3R rated
- All aluminum powder coated enclosure
- 10° to vertical mounting
- Fuses included (30A x 12)
- Listed to UL1741 and CSA 22.2
- 5 Year Warranty



Contact Information

Technical Support: 360-403-7207

www.midnitesolar.com

*Designed and Assembled
in USA*