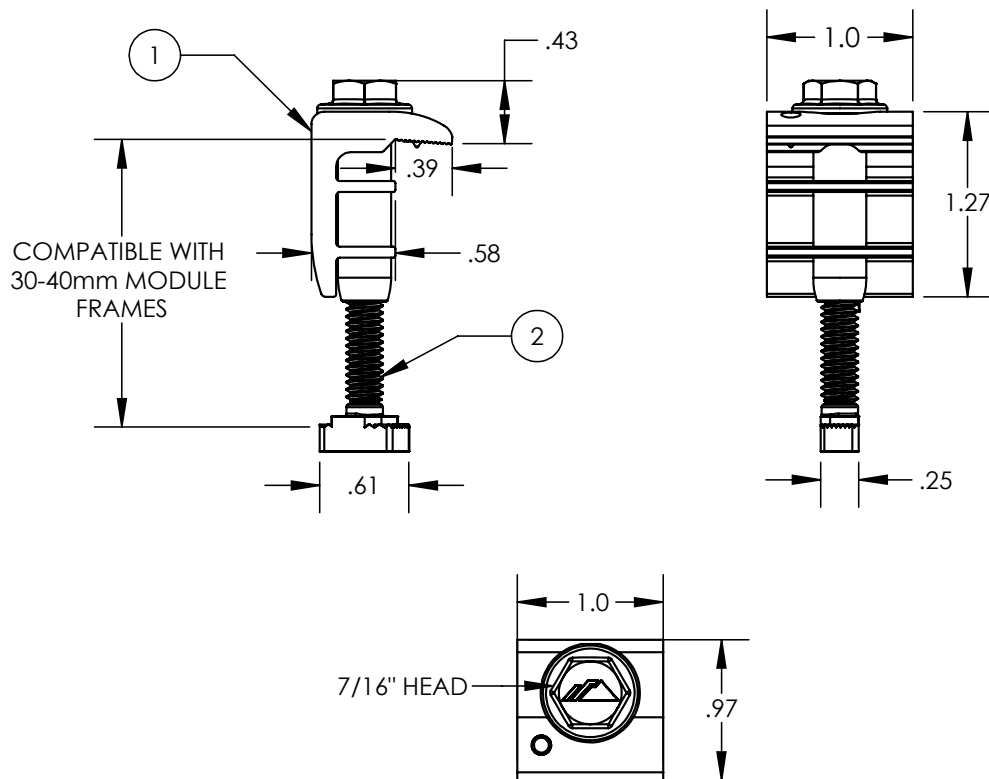


PART NO.	DESCRIPTION
UFO-END-01-A1	END FASTENING OBJECT (END CLAMP, 30-40mm), MILL
UFO-END-01-B1	END FASTENING OBJECT (END CLAMP, 30-40mm), BLACK



ITEM NO.	MATERIAL	FINISH
1	6000 SERIES ALUMINUM	MILL OR BLACK
2	300 SERIES STAINLESS STEEL	CLEAR AND BLACK