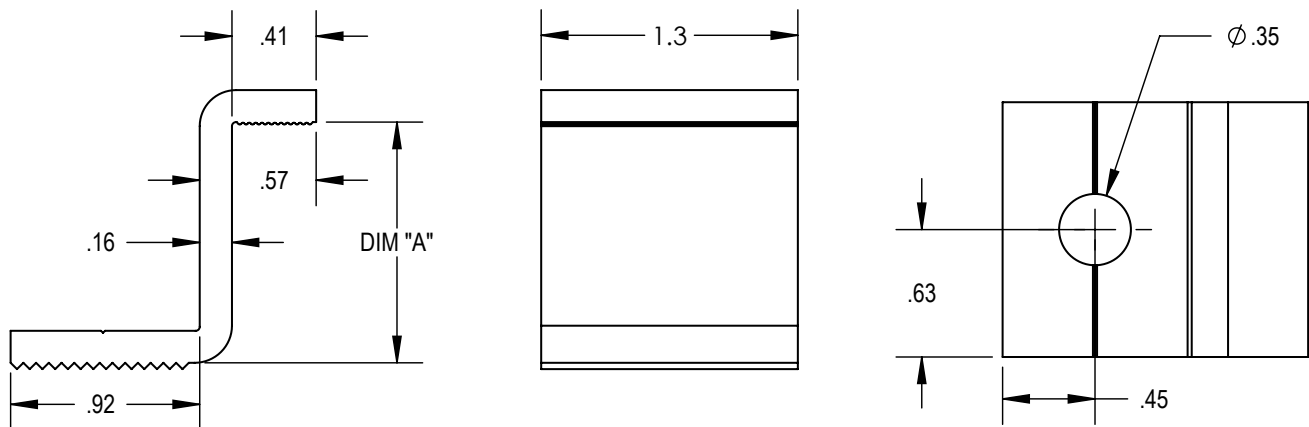


ITEM NO	DESCRIPTION	QTY IN KIT
1	BX TOP CLAMP, EXTRUSION	1

TABLE 1: TOP CLAMP PART NUMBERS AND HEIGHT

DIM "A"		PART NUMBER	DESCRIPTION
INCHES	mm		
1.181	30	BX-TCL-30MM-M1	BX TOP CLAMP, 30MM, MILL
1.260	32	BX-TCL-32MM-M1	BX TOP CLAMP, 32MM, MILL
1.299	33	BX-TCL-33MM-M1	BX TOP CLAMP, 33MM, MILL
1.378	35	BX-TCL-35MM-M1	BX TOP CLAMP, 35MM, MILL
1.496	38	BX-TCL-38MM-M1	BX TOP CLAMP, 38MM, MILL
1.575	40	BX-TCL-40MM-M1	BX TOP CLAMP, 40MM, MILL
1.811	46	BX-TCL-46MM-M1	BX TOP CLAMP, 46MM, MILL

1) BX Top Clamp



Property	Value
Material	Alluminium 6000 Series
Finish	Mill